

HYDRAULIC ATTACHMENTS

PARTS BOOK

for



and



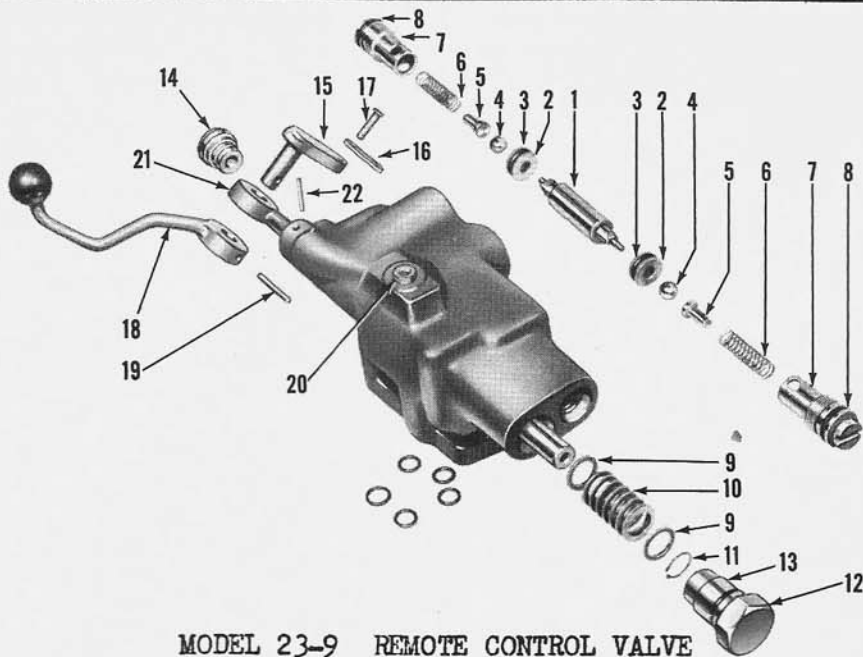
July, 1953

HYDRAULIC ATTACHMENTS

MODEL INDEX

<u>Model No.</u>	<u>Name</u>	<u>Page No.</u>
23-9	Remote Control Valve	1
23-10	Selec-trol Valve	5
23-11	Remote Control Attachment	3
23-12	Live P.T.O. Clutch Assembly	7

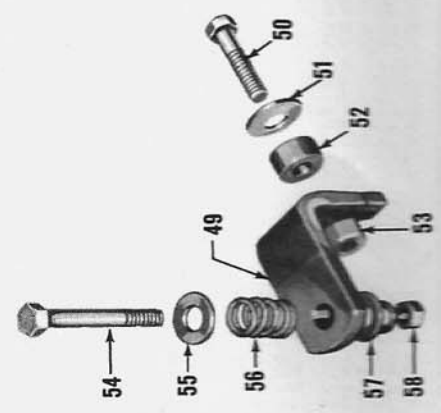
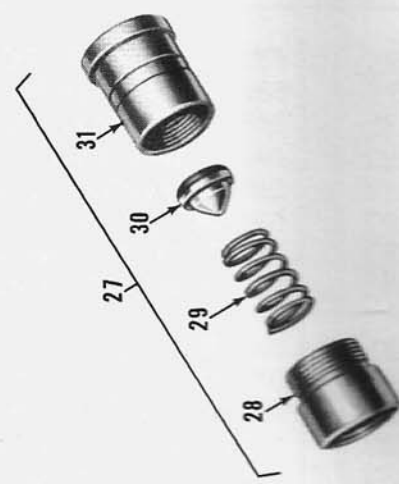
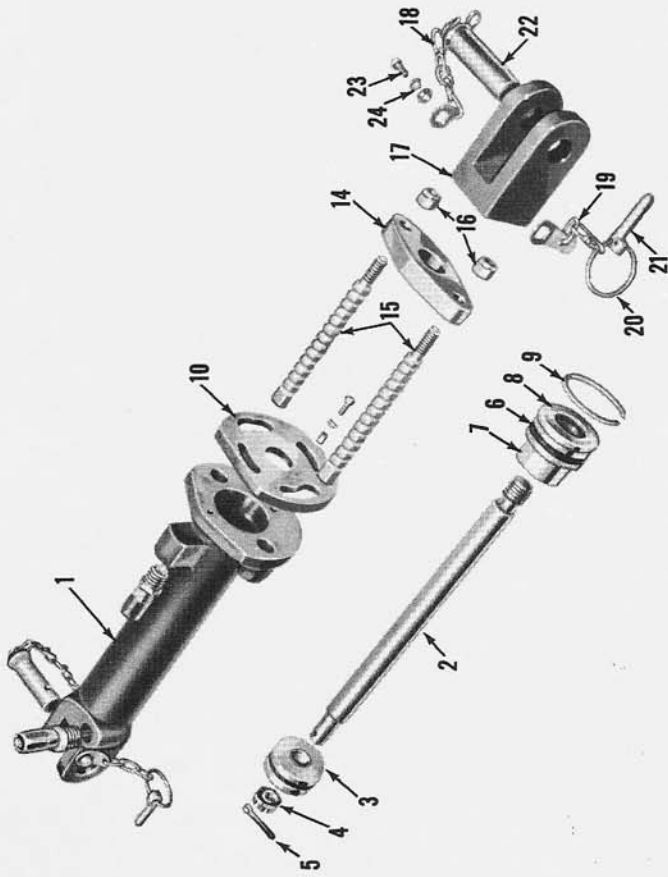
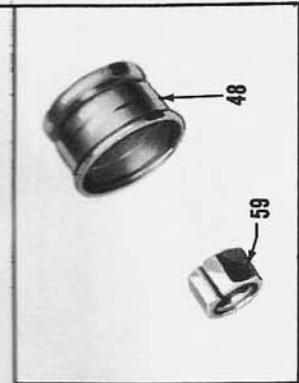
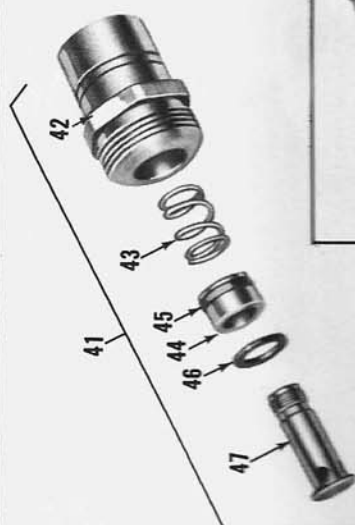
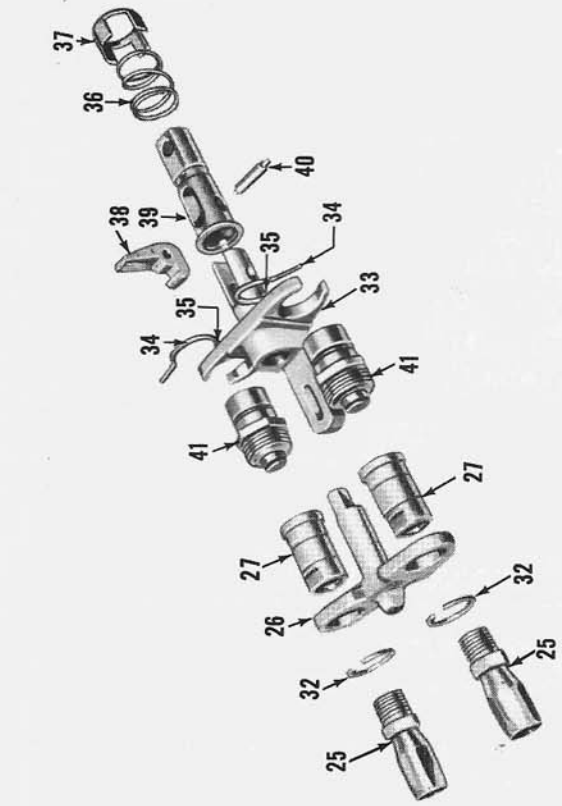
HYDRAULIC ATTACHMENTS



MODEL 23-9 REMOTE CONTROL VALVE

FIG.	PART NO.	NAME AND DESCRIPTION	QTY. REQ.
1	230495	SHUTTLE, Check Valve	1
2	230496	SEAT, Check Valve.	2
3	305184	"O" RING, Seat (Rubber).	3
4	192844	BALL, 1/2 Dia. - Check Valve	2
5	230497	GUIDE, Spring.	2
6	230499	SPRING, Valve.	2
7	230493	RETAINER, Spring	2
8	305186	"O" RING, (Rubber)	2
9	230491	WASHER, .64 ID x 15/16 OD x 1/16 Control Valve Spring.	2
10	230498	SPRING, Control Valve.	1
11	305187	RING, Snap, Spring Retaining	1
12	230708	CAP, Control Valve	1
13	305183	"O" RING, Control Valve Cap.	2
14	230709	RETAINER, "O" Ring	1
--	305185	"O" RING, Spool.	1
15	230487	ARM, Lever (Welded Assembly)	1
16	230485	LINK, (Arm to Spool)	2
17		PIN, 1/4 x 51/64 Clevis)	
--		COTTER PIN, 1/16 x 1/2) Link to Arm and Spool.	2
18	230483	LEVER, Control Valve	1
19	305093	PIN, 3/16 x 1 Roll - Lever to Arm.	1
--		STUD, 7/16 x 3-3/16 Screw)	
--		NUT, 7/16 - 20) Control Valve Attaching.	2
20		PLUG, 3/8 - 18 Hex. Socket Headless.	1
--	NAA-937-A	"O" RING (Rubber))	1
--	NAA-937-D	"O" RING (Rubber)) Control Valve Housing.	3
--	NAA-937-E	"O" RING (Rubber))	1
21	230710	EYE, Rod End	1
22	305086	PIN, 3/16 x 1-1/8 Roll	1

HYDRAULIC ATTACHMENTS



MODEL 23-11 REMOTE CONTROL ATTACHMENT

HYDRAULIC ATTACHMENTS

FIG.	PART NO.	NAME AND DESCRIPTION	QTY. REQ.
		MODEL 23-11 REMOTE CONTROL ATTACHMENT	
-	230500	CYLINDER ASSEMBLY - Remote Control	1
1	230501	Consists of: CYLINDER (Welded Assembly)	1
		Consists of Welded parts which are not serviced separately plus Catch listed below:	
-	230516	CATCH, Spring.	1
2	230506	SHAFT, Piston.	1
3	230512	PISTON	1
4		NUT, 3/4 - 16 Hex. Slotted)	
5		COTTER PIN, 3/16 x 1/2) Piston to Shaft.	1
6	230517	"0" RING, 1.85 ID x 2-1/4 OD x .210 (Rubber)	2
7	230511	GLAND, Piston Shaft.	1
-	230518	"0" RING, .984 ID x 1-1/4 OD x .139 (Rubber)	1
8	230520	SEAL, Oil, Piston Shaft.	1
9	230519	RING, Snap, Retaining.	1
10	230508	PLATE, Lock, Adjusting Rod (Welded Assembly)	1
11	230515	SPACER, 3/8 Std. Pipe x .40)	2
12		WASHER, 1/4 Flat) Plate to Cylinder	2
13		BOLT, 1/4 - 20 x 3/4 Hex. Hd.)	2
14	230507	PLATE, Piston Shaft Stop	1
15	230505	ROD, Cylinder Adjusting.	2
16	230521	NUT, 1/2 - 20 Hex. Elastic Stop - Rod to Plate	2
17	230502	YOKE, Shaft End.	1
-		SET SCREW, 1/4 - 20 x 3/8 Hex. Socket Headless Cup Point Yoke to Shaft.	1
18	8N-494	CHAIN ASSEMBLY (w/Anchor & Chain Eye).	2
19	8N-497	CHAIN ASSEMBLY (w/Anchor).	2
-	9N-573-B	CHAIN, Link Pin.	As Req
20	2N-575	RING, Linch Pin Locking.	2
21	2N-574	PIN, Linch	2
22	230514	PIN, 1 x 2-1/2 Drld. Spec. - Cylinder Attaching.	2
23		BOLT, 1/4 - 20 x 3/4 Hex. Hd.)	
24		WASHER, 1/4 Flat) Chain to Cylinder & Yoke.	4
-	230522	HOSE, Hydraulic, 101" Long, w/Fittings	2
-	230523	HOSE, Hydraulic, 25-1/2 " Long, w/Fittings	1
-	230524	HOSE, Hydraulic, 28-1/4 " Long, w/Fittings	1
-	230530	COUPLING ASSEMBLY, Breakaway	1
		Consists of:	
26	230532	FRAME, Implement Half.	1
27	230533	COUPLING ASSEMBLY, Implement Hose.	2
		Consists of:	
28	230534	ADAPTER, Implement Hose.	2
29	230527	SPRING	2
30	230535	VALVE, Implement Hose.	2
31	230536	HOUSING, Implement Hose.	2

HYDRAULIC ATTACHMENTS

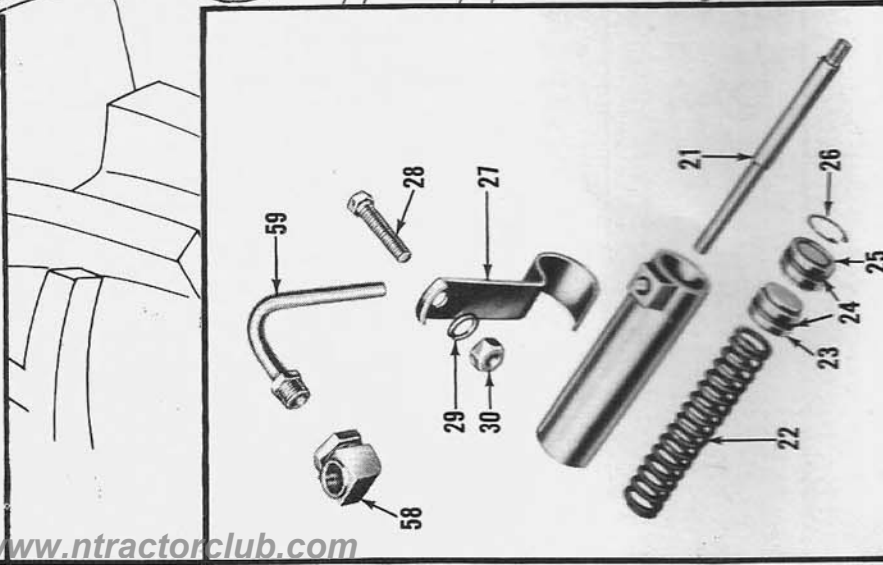
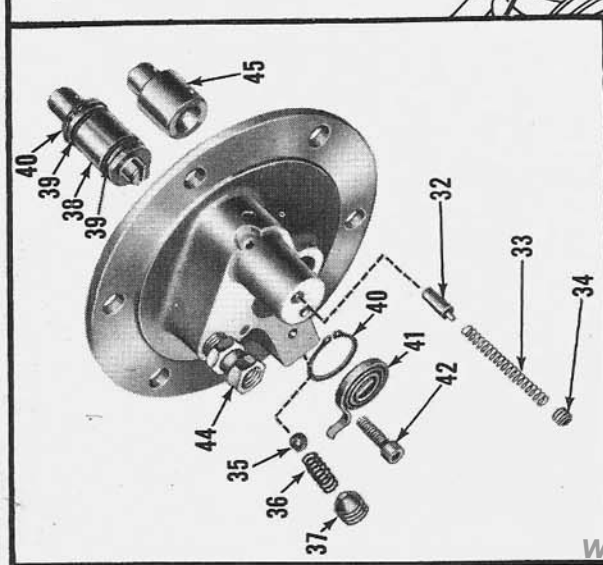
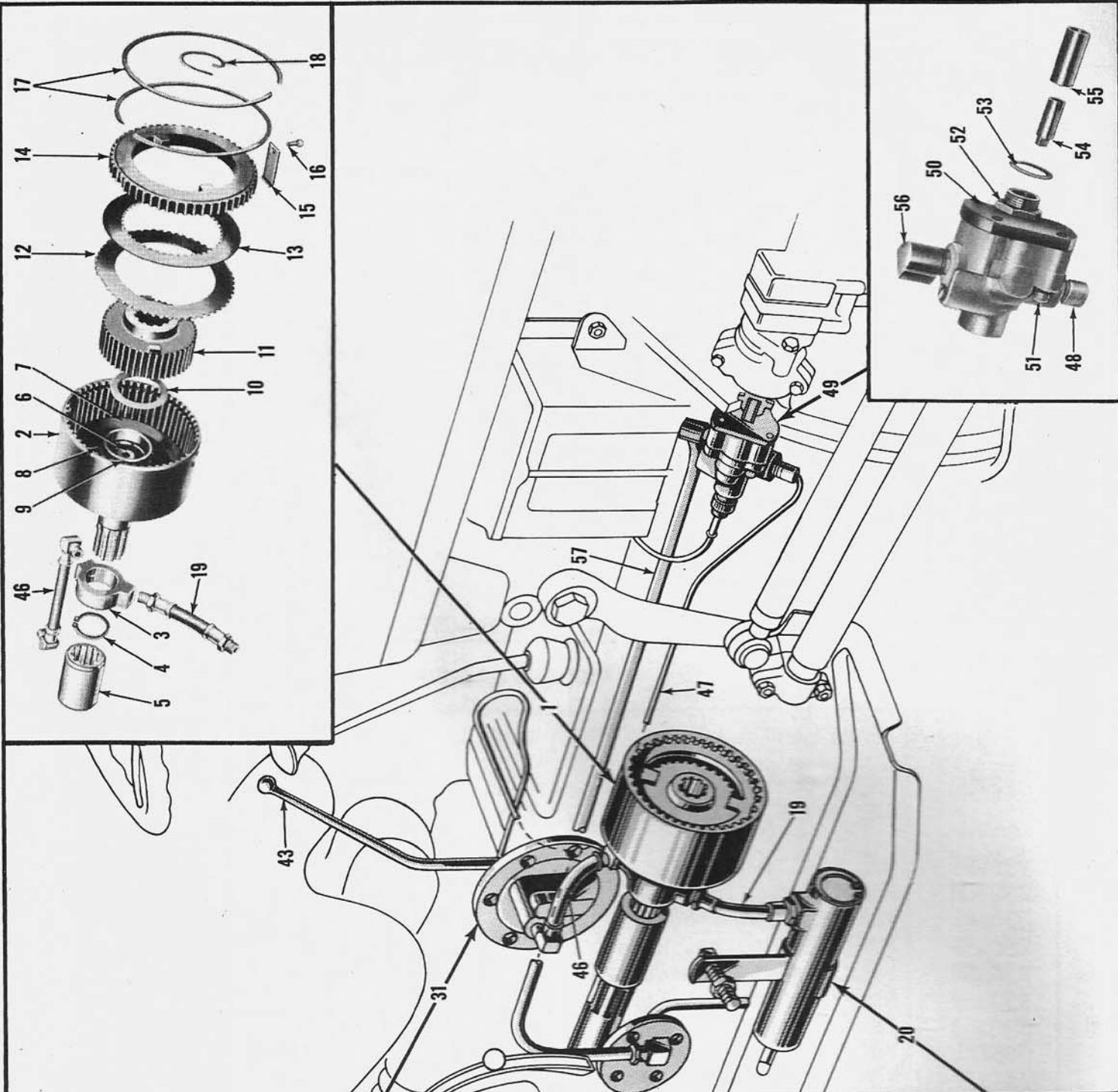
FIG.	PART NO.	NAME AND DESCRIPTION	QTY. REQ.
		MODEL 23-11 - REMOTE CONTROL ATTACHMENT (Cont'd.)	
32	230537	RING, Snap	2
33	230540	FRAME ASSEMBLY, Tractor Half Consists of Frame which is not serviced separately plus parts listed below:	1
34	230542	RING, Retainer	2
35		RIVET, 5/32 x 1/2 - Ring to Frame.	2
36	230543	SPRING	1
37	230544	RETAINER, Spring	1
38	230545	LATCH.	1
39	230546	ANCHOR, Frame.	1
40	230547	PIN, Latch	1
41	230548	COUPLING ASSEMBLY, Tractor Hose. Consists of:	2
42	230549	HOUSING.	2
43	230550	SPRING	2
44	192273	"O" RING	2
45	230551	SLEEVE, Valve.	2
46	230552	WASHER	2
47	230553	VALVE, Tractor Hose.	2
48	230554	CAP, Dust.	2
—	9N-13470	BRACKET, Fender Lamp	1
—	230525	BRACKET, Cylinder Transport (Welded Assembly).	1
—		BOLT, 1/2 - 13 x 1 Hex. Hd.) Cylinder Bracket to Fender	
—		NUT, 1/2 - 13 Hex.) Lamp Bracket.	2
49	230528	BRACKET, Breakaway Coupling.	1
50		BOLT, 7/16 - 14 x 1-5/8 Hex. Hd.)	
51		WASHER, 7/16 Flat)	
52	192194	SPACER) Bracket to Tractor. . .	1
53		NUT, 7/16 - 14 Hex.)	
54		BOLT, 3/8 - 16 x 3 Hex. Hd.)	1
55		WASHER, 3/8 Flat)	2
56	230529	SPRING) Coupling to Bracket	1
57		LOCKWASHER, 3/8)	1
58		NUT, 3/8 - 16 Hex.)	1
59	230719	TOOL, Valve Extractor (Service Repair Tool)	As Req

HYDRAULIC ATTACHMENTS



MODEL 23-10 SELEC-TROL VALVE

FIG.	PART NO.	NAME AND DESCRIPTION	QTY. REQ.
1	192240	KNOB, Control.	1
-		SET SCREW, 5/16 - 18 x 7/8 Hex. Socket Hdless. Cup Point - Knob to Spoel	1
2	230455	OIL SEAL	1
3	230706	RING, Snap, Internal	1
4	230461	WASHER, Flat Special	1
5	230459	SPRING, Tension, Detent Ball	1
6	230458	BALL, Steel, Detent 1/4.	2
7	230462	SLEEVE, Detent Ball.	1
8	230463	RETAINER, "O" Ring	1
9	305184	"O" RING, .674 ID x .875 OD x .103	1
-	NAA-937-A	"O" RING, .301 ID x .438 OD x .070	1
-	NAA-937-D	"O" RING, .424 ID x .625 OD x .103	3
-	NAA-937-E	"O" RING, .487 ID x .688 OD x .103	1
10	230457	RING, Snap, Internal	1



MODEL 23-12 DEARBORN LIVE P.T.O. CLUTCH ASSEMBLY

HYDRAULIC ATTACHMENTS

FIG.	PART NO.	NAME AND DESCRIPTION	QTY. REQ.
		MODEL 23-12 DEARBORN LIVE P.T.O. CLUTCH ASSY.	
1	230641	CLUTCH ASSEMBLY	1
		Consists of:	
2	230643	HOUSING, Hydraulic Clutch	1
3	230642	RING, Collector	1
4	230644	SNAP RING, Collector Ring Retaining	1
5	230660	COUPLING, Spline.	1
-	192844	BALL, 1/2 Dia.	1
-	230645	SPRING, Relief Valve.	1
6	230646	SCREW, Relief Valve Spring Retaining.	1
7	230647	PISTON, Clutch.	1
-	230648	RING, Piston.	1
-	230649	"O" RING, Clutch Piston	1
8	230650	SPRING, Piston Return	6
-	230651	SPACER, Spring.	3
9	230652	SNAP RING, Spring Retaining	1
10	230653	BEARING, Thrust	1
11	230654	HUB, Clutch Driving (45 External Teeth)	1
12	230655	PLATE, Driving (54 External Teeth).	8
13	230656	PLATE, Driven (45 Internal Teeth)	8
14	230657	PLATE, Pressure (54 External Teeth)	1
15	230658	FINGER, Connecting.	2
16		CAPSCREW, #10 - 32 x 1/2 Socket Head - Finger to Pressure Plate	2
17	230659	SNAP RING Clutch Pressure Plate Retaining.	2
18	230698	SPRING, Thrust Take-Up.	1
19	230661	HOSE ASSEMBLY, Clutch Assembly to Accumulator Assembly.	1
20	230662	ACCUMULATOR ASSEMBLY.	1
		Consists of Cylinder which is not serviced separately plus items listed below:	
21	230665	ROD, Piston	1
22	230664	SPRING, Piston.	1
23	230666	PISTON.	1
24	230518	"O" RING, Piston - Cap.	2
25	230668	CAP	1
26	230669	SNAP RING, Cap Retaining.	1
27	230670	BRACKET, Accumulator.	1
28	230671	BOLT, 7/16 - 1/4 x 2-1/8 Hex. Hd.)	
29		LOCKWASHER, 7/16) Accumulator Bracket to	
30		NUT, 7/16 - 1/4 Hex.) Tractor Housing.	1
31	230672	VALVE ASSEMBLY - Control.	1
		Consists of Body which is not serviced separately plus items listed below:	
-	230675	ELL, Inverted Flare (Hyd. Pump to Valve).	1
32	230676	PISTON, Dumping	1
33	230677	SPRING, Dumping Piston.	1
34		SET SCREW, 5/16 - 18 x 5/16 Soc. Hdless. - Spring Retain	1
-		SET SCREW, 1/4 - 20 x 1/4 Soc. Hdless. - Plug	3
35		BALL, 3/8 Dia. - Neutral Position	1
36	230674	SPRING, Neutral Position.	1

HYDRAULIC ATTACHMENTS

FIG.	PART NO.	NAME AND DESCRIPTION	QTY. REQ.
		MODEL 23-12 DEARBORN LIVE P.T.O. CLUTCH ASSY. (Cont'd.)	
37	230711	SCREW, 5/8 - 11 x 3/4 Soc. Hdless - Pressure Adjusting. .	1
38	230678	SPOOL, Valve.	1
39	230679	"0" RING, Valve Spool	2
40	230680	SNAP RING, Valve Spool.	2
41	230681	SPRING, Lever Return.	1
42		CAPSCREW, 1/2 - 20 x 3/4 Socket Hd. - Spring.	1
43	230682	LEVER, Clutch Control	1
--		PIN, 1/4 x 1 Groov - Lever to Spool	1
44	230683	ADAPTER, Swivel	1
45	230684	EXTENSION, P.T.O. Lever	1
46	230685	HOSE ASSEMBLY, Clutch to Valve Assembly	1
47	230699	TUBE, Pressure - Valve Assembly to Hydraulic Pump	1
48	230675	ELL, Inverted Flared - Hyd. Pump to Valve Assembly.	1
49	230686	PUMP ASSEMBLY - Hydraulic	1
50	230687	ADAPTER, Pump	1
51		CAPSCREW, 5/16 - 18 x 1-1/2 Soc. Hd.) Adapter to Pump. . .	1
--		LOCKWASHER, 5/16)	
52	230688	NUT, 7/8 - 18 Jam	1
53	230689	GASKET, Pump.	1
54	230690	SHAFT, Pump Drive	1
55	230691	SLEEVE, Pump Drive Shaft.	1
56	230692	ELL, Flare - Pump to Supply Tube.	1
57	230693	TUBE, Supply.	1
58	230694	ELBOW, Bulkhead	1
--	230695	GASKET, Bulkhead.	1
--	230696	NUT, 1-1/16 - 16 Hex. Jam	1
59	230697	TUBE, Suction	1
--	230721	SPACER, Shifter Fork.	1

NUMERICAL INDEX

Part No.	Part Name	Page No.	Part No.	Part Name	Page No.	Part No.	Part Name	Page No.
8N-494	Chain Assy.	3	230522	Hose	3	230664	Spring	7
8N-497	Chain Assy.	3	230523	Hose	3	230665	Rod	7
9N-573-B	Chain	3	230524	Hose	3	230666	Piston	7
2N-574	Pin	3	230525	Bracket	4	230668	Cap	7
2N-575	Ring	3	230527	Spring	3	230669	Snap Ring	7
NAA-			230528	Bracket	4	230670	Bracket	7
937-A	"O" Ring	1,5	230529	Spring	4	230671	Bolt	7
NAA-			230530	Coupling Assy.	3	230672	Valve Assy.	7
937-D	"O" Ring	1,5	230532	Frame	3	230674	Spring	7
NAA-			230533	Coupling Assy.	3	230675	Ell	7,8
937-E	"O" Ring	1,5	230534	Adapter	3	230676	Piston	7
9N-13470	Bracket	4	230535	Valve	3	230677	Spring	7
192194	Spacer	4	230536	Housing	3	230678	Spool	8
192240	Knob	5	230537	Ring	4	230679	"O" Ring	8
192273	"O" Ring	4	230540	Frame Assy.	4	230680	Snap Ring	8
192844	Ball	1,7	230542	Ring	4	230681	Spring	8
230455	Oil Seal	5	230543	Spring	4	230682	Lever	8
230457	Ring	5	230544	Retainer	4	230683	Adapter	8
230458	Ball	5	230545	Latch	4	230684	Extension	8
230459	Spring	5	230546	Anchor	4	230685	Hose Assy.	8
230461	Washer	5	230547	Pin	4	230686	Pump Assy.	8
230462	Sleeve	5	230548	Coupling Assy.	4	230687	Adapter	8
230463	Retainer	5	230549	Housing	4	230688	Nut	8
230483	Lever	1	230550	Spring	4	230689	Gasket	8
230485	Link	1	230551	Sleeve	4	230690	Shaft	8
230487	Arm	1	230552	Washer	4	230691	Sleeve	8
230491	Washer	1	230553	Valve	4	230692	Ell	8
230493	Retainer	1	230554	Cap	4	230693	Tube	8
230495	Shuttle	1	230641	Clutch Assy.	7	230694	Elbow	8
230496	Seat	1	230642	Ring	7	230695	Gasket	8
230497	Guide	1	230643	Housing	7	230695	Nut	8
230498	Spring	1	230644	Snap Ring	7	230697	Tube	8
230499	Spring	1	230645	Spring	7	230698	Spring	7
230500	Cyl. Assy.	3	230646	Screw	7	230699	Tube	8
230501	Cylinder	3	230647	Piston	7	230706	Ring	5
230502	Yoke	3	230648	Ring	7	230708	Cap	1
230505	Rod	3	230649	"O" Ring	7	230709	Retainer	1
230506	Shaft	3	230650	Spring	7	230710	Eye	1
230507	Plate	3	230651	Spacer	7	230719	Tool	4
230508	Plate	3	230652	Snap Ring	7	230721	Spacer	8
230511	Gland	3	230653	Bearing	7	305086	Pin	1
230512	Piston	3	230654	Hub	7	305093	Pin	1
230514	Pin	3	230655	Plate	7	305183	"O" Ring	1
230515	Spacer	3	230656	Plate	7	305184	"O" Ring	1,5
230516	Catch	3	230657	Plate	7	305185	"O" Ring	1
230517	"O" Ring	3	230658	Finger	7	305186	"O" Ring	1
230518	"O" Ring	3,7	230659	Snap Ring	7	305187	Ring	1
230519	Ring	3	230660	Coupling	7			
230520	Seal	3	230661	Hose Assy.	7			
230521	Nut	3	230662	Accumulator	7			